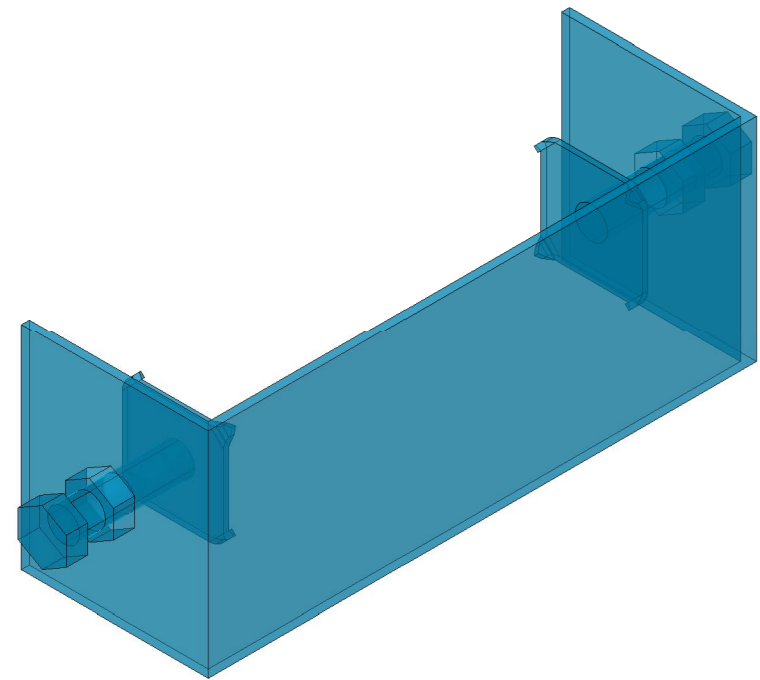
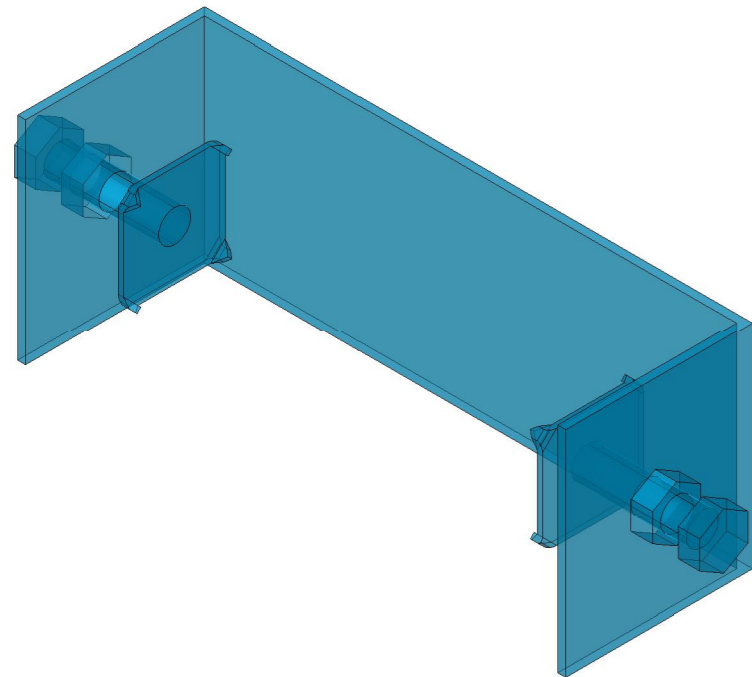


ISO VIEW 1



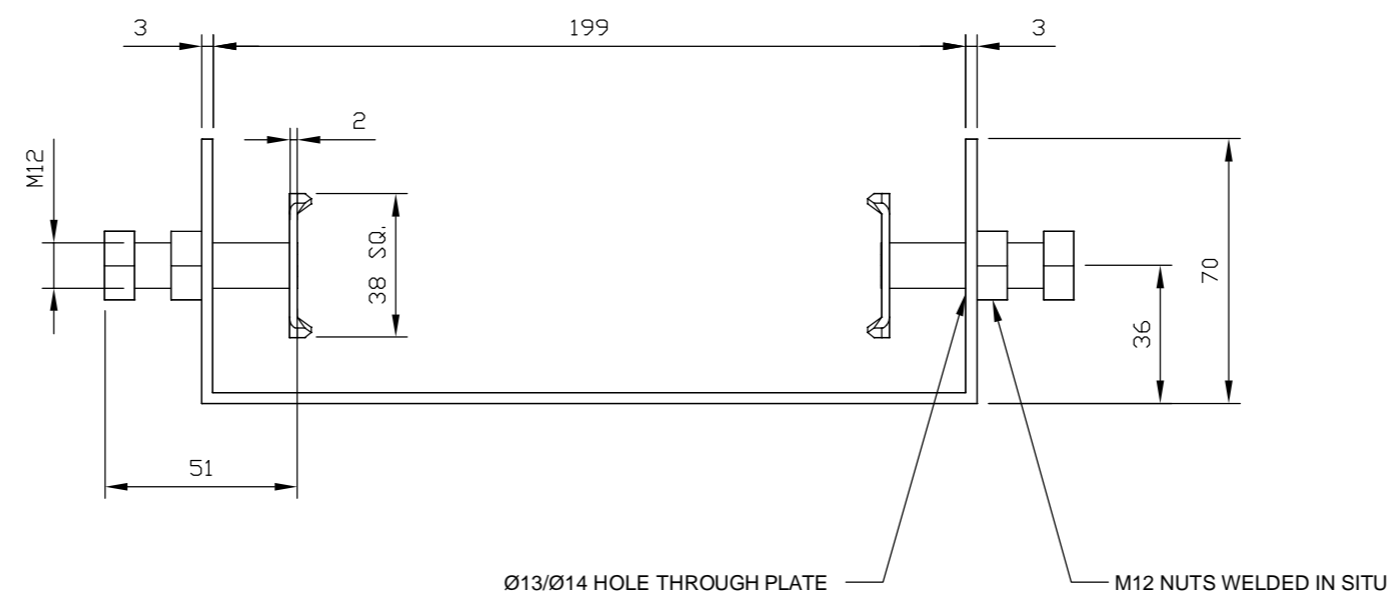
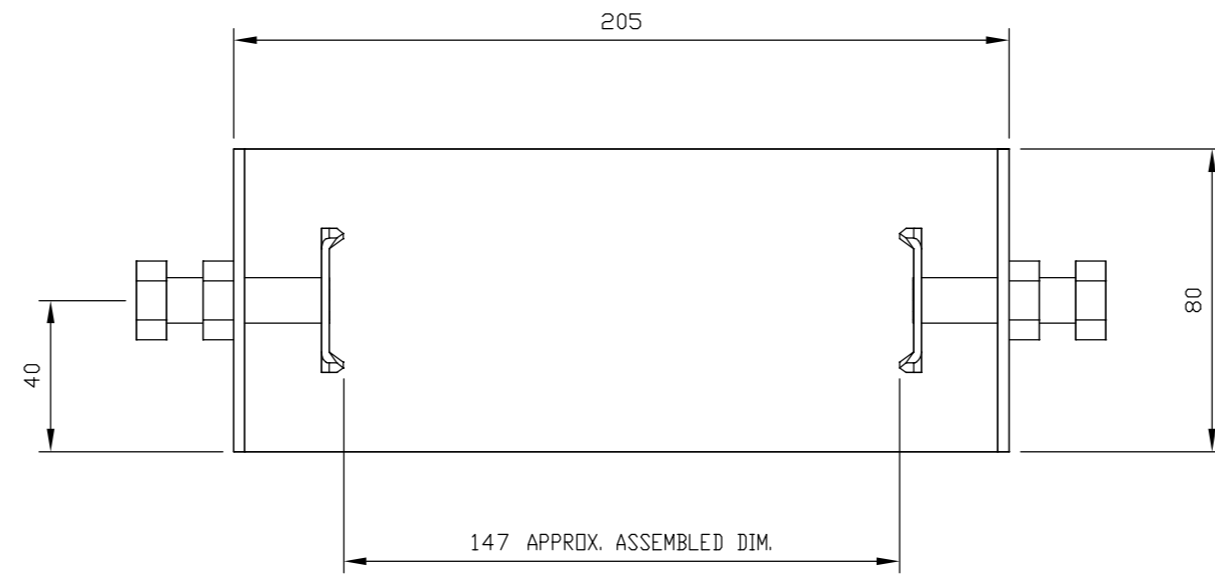
ISO VIEW 2



NOTES:

DIMENSION SUBJECT TO CHANGE UPON DESIGN REVIEW

WELDED CONSTRUCTION
 - 3mm SMOOTH FILLET WELD ALL ROUND.
 - REMOVE BURRS AND SHARP EDGES.



Unit 1, Beech Hill Industrial Park Hammond Road,
 Knowsley Industrial Park, Liverpool, Merseyside L33 7UL.
 Tel: 0870 950 57 88 Fax: 0870 950 79 33
 enquiries@blokmesh.com

The copyright in this drawing belongs to Blok 'N' Mesh Ltd and should not be copied or shown to third parties without the express permission of Blok 'N' Mesh Ltd.

DATE	19/10/2012
SCALE	1:2 @A2
DRAWN	CDV
CHECKED	G. CHAPMAN
APPROVED	G. CHAPMAN

TITLE
 REUSE-A-WALL
 STANDARD COUPLER

DRAWING No. L121019-RAW-DT-08

Revision —